

Fostex®

FULL RANGE SPEAKER UNIT

FE206E

Features

- 'ES cone' paper made of banana plant's fiber
- \varnothing 110mm large ferrite magnet
- Newly designed center cap



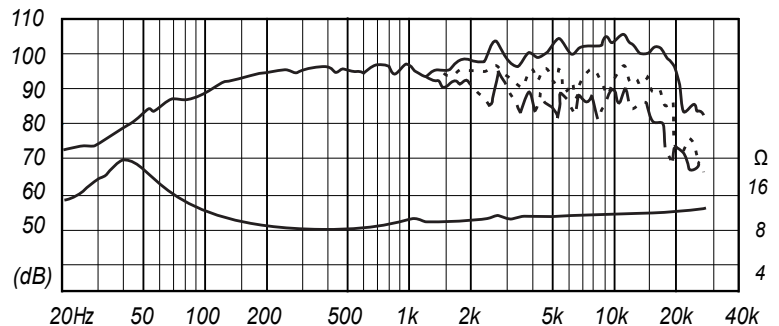
Specifications

&

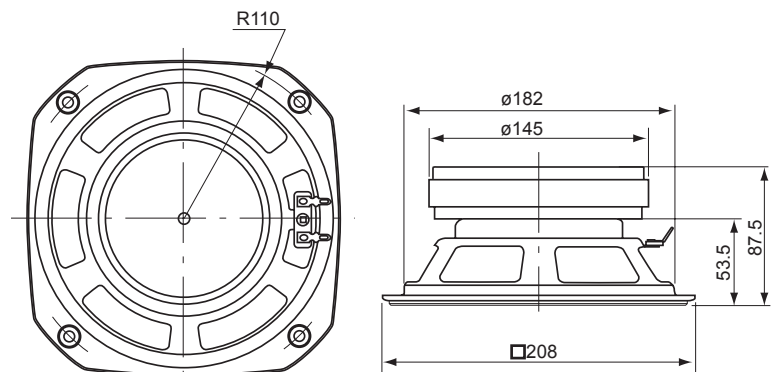
Thiele/Small Parameters

Size	:	200 mm / 8 in
Voice Coil Diameter	:	35 mm / 1.4 in
Cast / Stamped	:	Stamped
Impedance	:	8 Ω
Reproduction Frequency Response	:	f ₀ - 20 kHz
Sound Pressure Level	:	96 dB/W(m)
Rated Input	:	30 W
Music Power	:	90 W
Magnet Material	:	Ferrite
Magnet Weight	:	
(main)	:	1,067 g / 2.352 lb
(cancel)	:	n/a g / n/a lb
Net Weight	:	3,350 g / 7.385 lb

Frequency Response / Impedance



Dimensions & Mounting Information



a	:	81 mm
D	:	162 mm
S _d	:	0.02061 m ²
Z _n	:	8 Ω
F _s	:	39 Hz
Re	:	6.69 Ω
Le	:	n/amH
Q _{ms}	:	3.73
Q _{es}	:	0.18
Q _{ts}	:	0.18
M _{ms}	:	15.35 g
BL	:	11.82 Telsa/m
V _{as}	:	54.53 L
X _{max}	:	1.5 mm
Eff/ η ₀	:	1.73 %
C _{ms}	:	0.00091 mm/N
EBP	:	217

Overall Diameter	:	208 mm / 8 in
Baffle Hole Diameter	:	145 mm / 5.7 in
Depth	:	87.5 mm / 3 in